

# Technical Specification

## CD100L

### Deep Bowl Crystal Large Single Bowl & Drainer



#### Features

Lifetime Warranty

CE Approved

1015mm x 525mm overall size, with 200mm "DEEP" main bowl

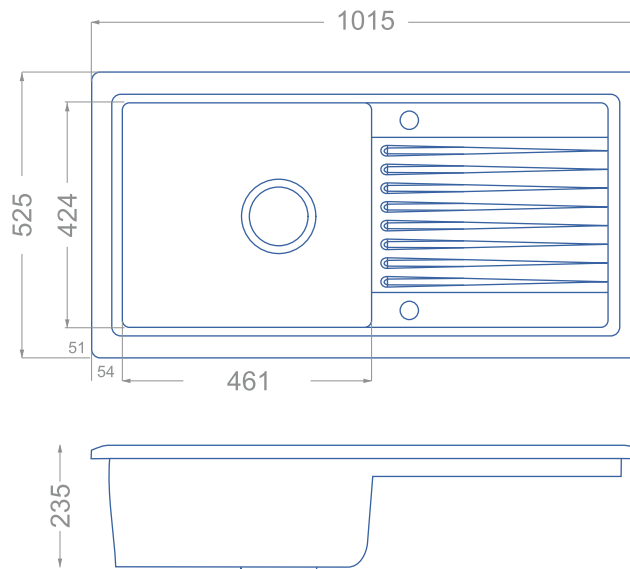
FFC (Fine fireclay material) with hygienic glazed surface

Can be installed as LH or RH drainer

Supplied complete with 1x90mm waste and overflow (chrome finish)

Minimum cabinet width required (600mm for bowl), Waste disposal compatible

+/- 2% tolerance in manufacturing



#### Waste Kit Code:

UKH039