



# MagnaClean™

Atom

## Product Specification

# MagnaClean Atom™ Technical Specification

MagnaClean Atom® the super compact, space saving filter.  
Developed with installers for even the tightest of installations.

## Features

- Super compact, space saving filter
- Only 115mm needed to install
- Fits vertical and horizontal pipework
- Filter can be switched to bypass when servicing
- Supplied fully assembled and ready for installation
- Slip socket design for easy installation

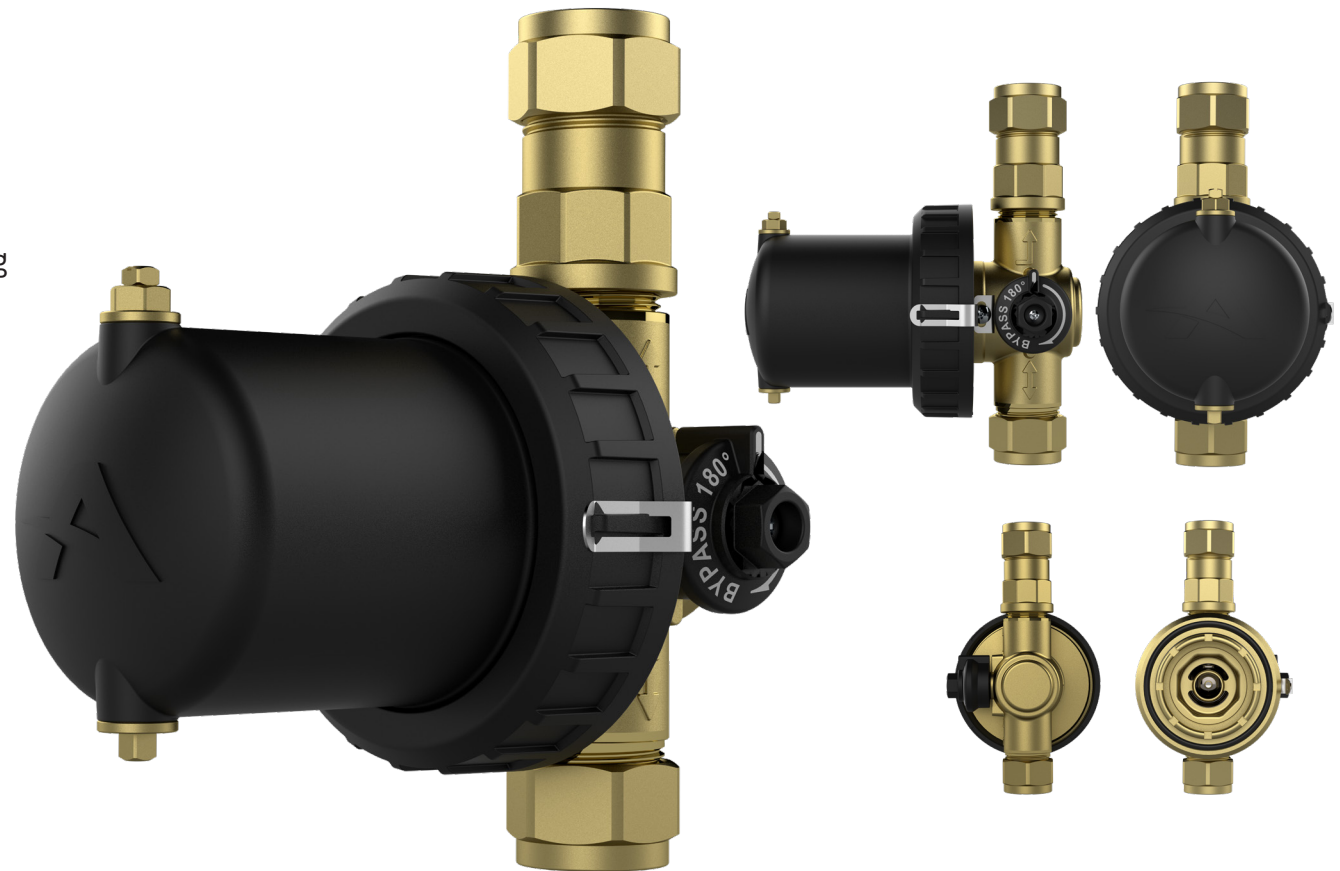
## Benefits

- Fits into even the tightest of spaces
- No need to turn off the heating system when servicing
- Installation can be completed in just two minutes
- Quick and easy chemical dosing using ADEY Rapide®

## Fit a filter every time

MagnaClean Atom should be fitted in-line on the return pipe.  
Alternative sitings can be located when the return pipe is not available.  
ADEY always recommends that a magnetic filter be installed on both new and existing systems to extend the operational life of the boiler as well as reduce maintenance call-outs and heating bills.

ADEY Best Practice™ essentials: MC1+Rapide™ Central Heating System PROTECTOR MC3+Rapide™ Central Heating System CLEANER.



# Technical Specification:

Internal water operating temperature: 3°C to 95°C

Internal operating water pressure: up to 4.5 bar

Maximum flow rate: 50 L/min

Canister and threaded ring material: Glass reinforced polymer

Fluid capacity: 230 ml

Inlet: 22mm compression

Outlet: 22mm compression

Thread: Pressure thread

Flow configuration: One direction only

Valve to canister seal: EPDM

Magnet length: 82.5mm

Magnet diameter: 20 mm

## Bleed valve

Body material: Brass

Screw: Brass

Thread interface: M6

## Drain port

Drain plug material: Brass

Drain plug thread: M8 (non standard)

Seals: EPDM

## Servicing Clearance

Air vent: 20 mm

Drain Plug: 30 mm

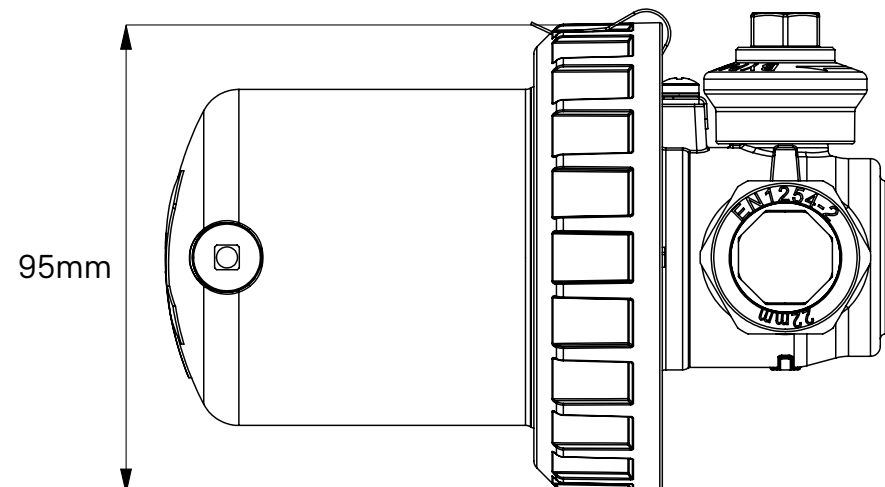
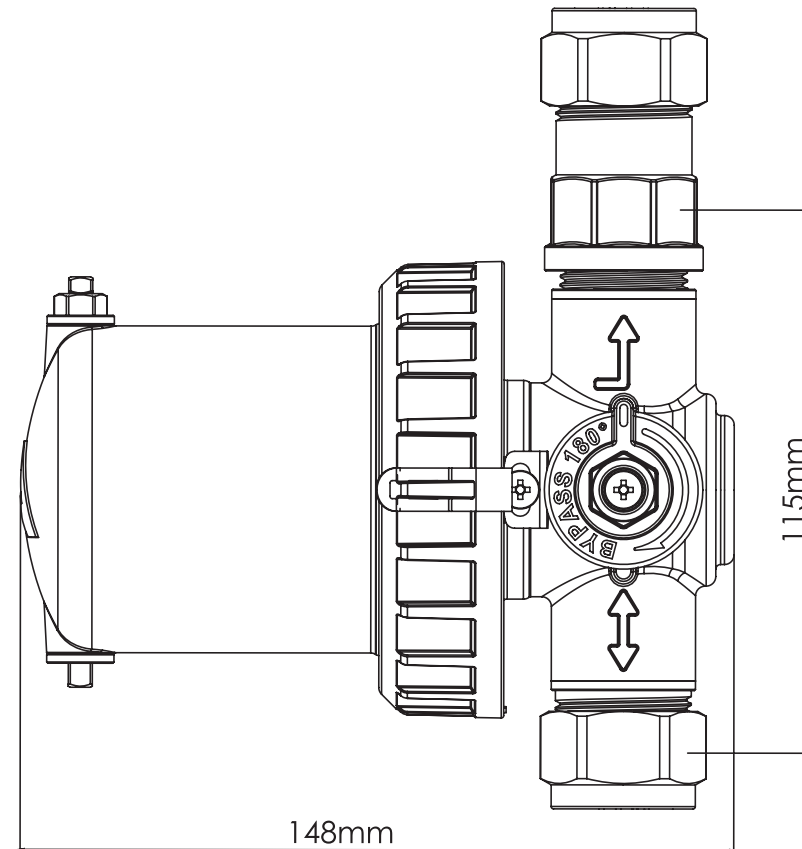
## Packaging and handling:

Packaged in single units with all components included

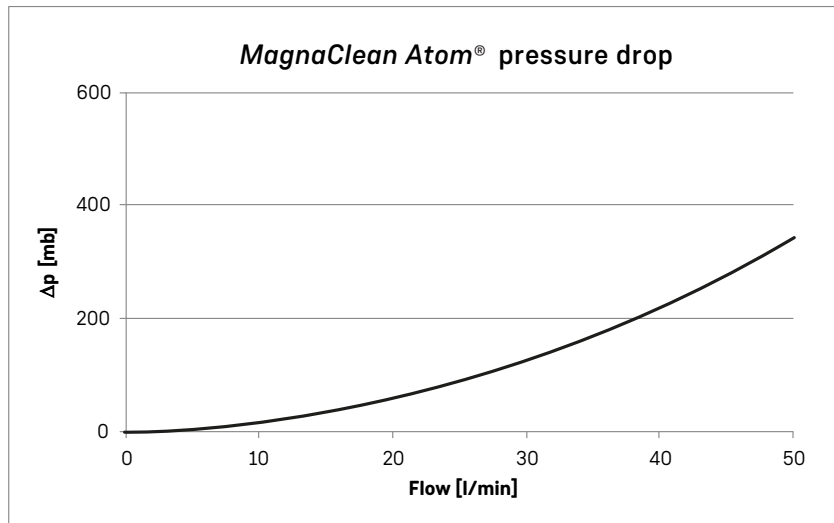
## Storage

No special storage requirements necessary

Full installation instructions are supplied with each filter and are also available to download from [adey.com](http://adey.com)



# Flow resistance graph:



## Application:

*MagnaClean Atom's* in-line design and 360 rotational valves provide multiple installation options enabling greater flexibility within the tightest working environments.

For optimal results, it's recommended that dirty systems should have a system cleanse carried out before installation of a *MagnaClean®* filter. Always re-dose the system with ADEY *MC1+ Rapide* Central Heating System PROTECTOR following cleansing or maintenance.

